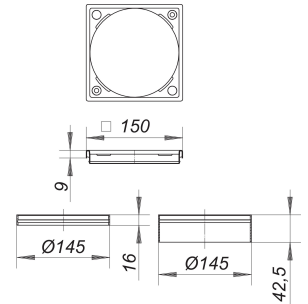


## Frame S 15/150, 316Ti stainless steel, 150 x 150 mm

Part number: 503084  
GTIN: 4001636503084  
Rebate group: 5



### Description:

Frame S 15/150, 316Ti stainless steel, 150 x 150 mm  
for CeraDrain S 15 and TistoDrain S 15  
spigot ABS, 1 x 16 mm, 1 x 42,5 mm  
frame 316L stainless steel, 150 x 150 mm, used with grates 140 x 140 mm