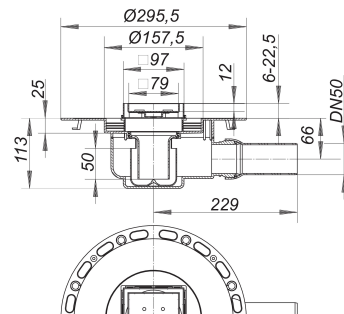


floor drain TistoStone VC 10, DN 50, 100 x 100 mm

Part number: 516213

GTIN: 4001636516213

Rebate group: 5



Description:

floor drain TistoStone VC 10, DN 50, 100 x 100 mm

conforming to DIN EN 1253

floor drain with a stainless steel grating for tiling with customers floor finish

outlet DN 50 horizontal, with ball-joint, adjustable 0 – 15 degrees

specification

- flange with fleece surface
- Tisto-membrane
- removable trap insert, 50 mm water seal (conforming to DIN EN 1253)
- temporary blanking plate
- grating laterally adjustable +/- 4 mm, height adjustable for floorings 6 – 22 mm (incl. adhesive)

material

polypropylene

grating 304 stainless steel, 100 x 100 mm, load class K 3 (300 kg)

Spare parts:

516145