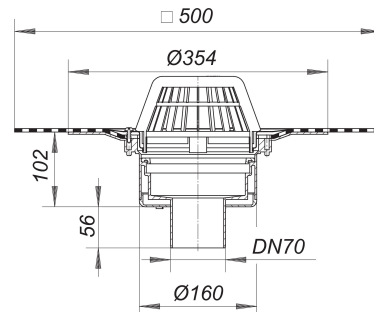
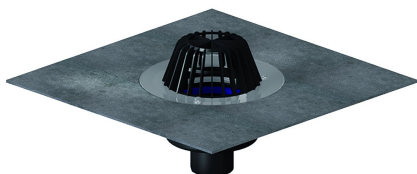


roof drain type 62 DallBit, DN 70

Part number: 622044
 GTIN: 4001636622044
 Rebate group: 10



Description:

roof drain type 62 DallBit, DN 70
 conforming to DIN EN 1253
 with factory-fitted collar of 5.0 mm modified bitumen membrane, 500 x 500 mm, welded to the flange and clamped with a stainless steel clamp ring

specification:

- insulated drain body
- outlet vertical
- domed grate
- temporary blanking plate

material:

polypropylene, UV-stabilized

R 30 - 120 option available.

Flow rates tested to DIN EN 1253:

Nominal diameter	Outlet di- rection	Min. flow rate accor- ding to norm	Water le- vel accor- ding to norm	Flow rate at water level 5 mm	Flow rate at water level 15 mm	Flow rate at water level 25 mm	Flow rate at water level 35 mm	Flow rate at water level 45 mm	Flow rate at water level 55 mm	Flow rate at water level 65 mm
DN 70		35.00 mm	0.90 l/s	3.20 l/s	5.40 l/s	5.40 l/s	5.50 l/s	5.60 l/s	5.70 l/s	
DN 70		35.00 mm	0.80 l/s	3.60 l/s	5.90 l/s	8.70 l/s	12.10 l/s	14.80 l/s	15.00 l/s	
DN 70		35.00 mm	0.90 l/s	3.50 l/s	6.80 l/s	9.90 l/s	13.20 l/s	15.00 l/s	15.10 l/s	15.20 l/s