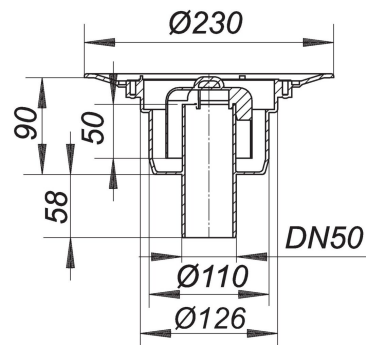


21. November 2019

**DALLMER****Floor drain body type 40 S, DN 50**

Product No. **405128**  
 EAN: 4001636405128  
 Discount group: 3



conforming to DIN EN 1253  
 outlet DN 50 vertical

specification:

- removable trap insert, 50 mm water seal
- temporary blanking plate

material:

polypropylene

The outlet connector can be supplied in ABS to suit British Standard sizes and PE-HD conforming to DIN EN 1519. Please enquire.

Fire protection system 2 (Part No. 515025) applicable.

Flow rate tested to DIN EN 1253  
 (with 20 mm water over grate)

	Norm	DALLMER
DN 50	0.8 l/s	1.34 l/s

Product No.	Description	Dimensions
590275	Bell trap for floor drain body type 40	

21. November 2019

**DALLMER**

Product No.	Description	Dimensions
495020	Back flow seal S 10, d: 110 mm	d: 110 mm
590275	Bell trap for floor drain body type 40	
839503	clamp ring S 10	
513069	collar CeraDrain S 10	
513168	collar TistoDrain S 10	
515025	fire and sound-insulating collar - installation kit 2, DN 50	DN 50
495211	frame ECS 10, 304 stainless steel, 100 x 100 mm	100 x 100 mm
495228	frame ECS 10, 316 stainless steel, 100 x 100 mm	100 x 100 mm
495341	frame ECS 12, 304 stainless steel, 120 x 120 mm	120 x 120 mm
495389	frame ECS 12, 316 stainless steel, 120 x 120 mm	120 x 120 mm
495204	frame EN 10, 100 x 100 mm	100 x 100 mm
495334	frame ER 12, 304 stainless steel, d: 120 mm	d: 120 mm
495396	frame ER 12, 316Ti stainless steel, d: 120 mm	d: 120 mm
495242	frame KEN 10, 150 x 150 mm	150 x 150 mm
495303	frame PVC-EN 10, 100 x 100 mm	100 x 100 mm
495310	frame PVC-KEN 10, 150 x 150 mm	150 x 150 mm
495259	frame SES 10, 150 x 150 mm	150 x 150 mm
510198	grating DER S 10/120, 120 x 120 mm	
510006	grating E 10, 100 x 100 mm	100 x 100 mm
510310	grating E 12, 120 x 120 mm	120 x 120 mm
510013	grating EC 10, 100 x 100 mm	100 x 100 mm
510082	grating ECN 10, secured grate, 100 x 100 mm	100 x 100 mm
510020	grating ECS 10, grate 5 mm, secured, 100 x 100 mm	100 x 100 mm
510044	grating EN 10, secured grate, 100 x 100 mm	100 x 100 mm
510327	grating EN 12, secured grate, 120 x 120 mm	120 x 120 mm
510334	grating ER 12, d: 120 mm	d: 120 mm
510051	grating KE 10, 150 x 150 mm	150 x 150 mm
510099	grating KEN 10, secured grate, 150 x 150 mm	150 x 150 mm
510112	grating KEN 11, 150 x 150 mm	150 x 150 mm
510129	grating KES 11, 150 x 150 mm	150 x 150 mm
510150	grating PVC-EN 10, secured grate, 100 x 100 mm	100 x 100 mm
510037	grating PVC-KEN 10, secured grate, 150 x 150 mm	150 x 150 mm
510365	grating Quadra S 10/120, 120 x 120 mm	
510167	grating Quadra S 10/150, 150 x 150 mm	
510105	grating SEC 10, 150 x 150 mm	150 x 150 mm
510136	grating SEN 10, secured grate, 150 x 150 mm	150 x 150 mm
510143	grating SES 10, massive grate, secured, 150 x 150 mm	150 x 150 mm
831569	raising piece type 85	
832566	raising piece type 85 DallBit	
495075	Two-way seal CeraDrain type S 10	
790323	waterproofing collar S 10, EPDM, d: 420 mm	d: 420 mm
790316	waterproofing collar S 10, flexible PVC, d: 420 mm	d: 420 mm