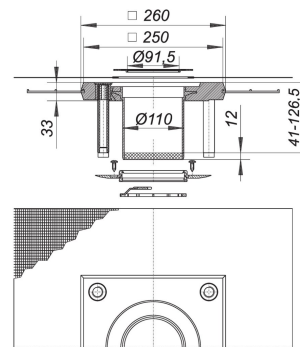
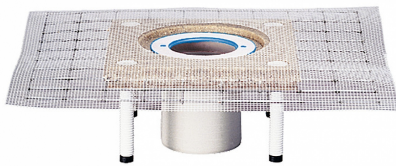


21. November 2019

**DALLMER****collar CeraDrain S 10**

Product No. **513069**  
 EAN: 4001636513069  
 Discount group: 5



used with floor drain bodies 40, 42 and 46, balcony drain types 83 and 84

specification:

- polymer concrete collar with steel mesh reinforcement
- height adjustable levelling legs
- ABS raising piece
- laterally adjustable upper collar
- glassfibre mat reinforcement
- seal\*
- spacer
- temporary blanking plate

\* Please note: in cases where a secondary membrane is used and a DallBit drain was installed, then an S 10 seal (Art. Nr. 495020) must be used instead of the CeraDrain seal.

Gratings for CeraDrain S 10/TistoDrain S 10 are continuously adjustable.

lateral adjustment: +/- 5,5 mm

height adjustable: up to 40 mm

Product No.	Description	Dimensions
595102	Glassfibre mat S 10, reinforced, 500 x 500 mm, id: 175 mm	500 mm x 500 mm, di: 175
495075	Two-way seal CeraDrain type S 10	
495082	Upper collar CeraDrain/TistoDrain S 10	

21. November 2019

**DALLMER**

Product No.	Description	Dimensions
832023	balcony drain body type 83 DallBit, DN 50	DN 50
832047	balcony drain body type 83 DallBit, DN 70	DN 70
830029	balcony drain body type 83, DN 50	DN 50
830043	balcony drain body type 83, DN 70	DN 70
832160	balcony drain body type 84 DallBit, DN 100	DN 100
832122	balcony drain body type 84 DallBit, DN 50	DN 50
832146	balcony drain body type 84 DallBit, DN 70	DN 70
831064	balcony drain body type 84, DN 100	DN 100
831026	balcony drain body type 84, DN 50	DN 50
831040	balcony drain body type 84, DN 70	DN 70
405227	floor drain body type 40 DallBit, DN 50	DN 50
405135	Floor drain body type 40 PE, DN 50/OD 50	DN 50
405128	Floor drain body type 40 S, DN 50	DN 50
422026	Floor drain body type 42 DallBit, inlet DN 40, DN 50	DN 50
420022	Floor drain body type 42 S, inlet DN 40, DN 50	DN 50
421722	Floor drain body type 42/3, 3 inlets DN 40, DN 50	DN 50
462053	Floor drain body type 46 DallBit, inlet DN 40, DN 50	DN 50
460059	Floor drain body type 46 S, inlet DN 40, DN 50	DN 50
400338	Frame KEN S 10/150, 150 x 150 mm	150 x 150 mm
495402	frame V, S 10/100, 304 stainless steel, 100 x 100 mm	
495495	frame V, S 10/100, 316Ti stainless steel, 100 x 100 mm	100 x 100 mm
495426	frame V, S 10/120, 304 stainless steel, 120 x 120 mm	120 x 120 mm
495440	frame V, S 10/120, 316Ti stainless steel, 120 x 120 mm	120 x 120 mm
400413	grating Quadra CD 10/100, 100 x 100 mm	
400352	grating VC 10, 100 x 100 mm	100 x 100 mm
400468	grating VC, S 10/120, 120 x 120 mm	120 x 120 mm
400383	grating VE 10, 100 x 100 mm	100 x 100 mm
400376	grating VN 10, secured, 100 x 100 mm	100 x 100 mm
400369	grating VS 10, 100 x 100 mm	100 x 100 mm