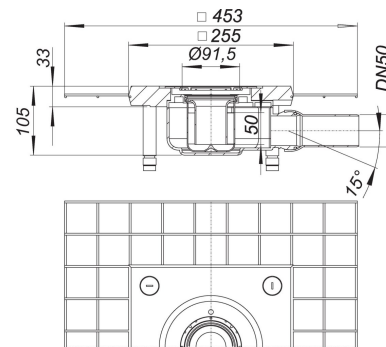
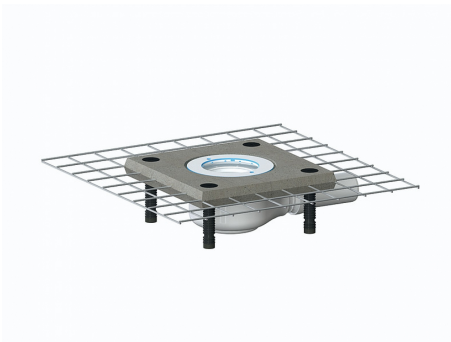


21. November 2019

DALLMER

Floor drain body CeraDrain 48, DN 50

Product No. **513205**
 EAN: 4001636513205
 Discount group: 5



conforming to DIN EN 1253
 outlet DN 50 horizontal, with ball-joint, adjustable 0 – 15 degrees

specification:

- polymer concrete collar with steel mesh reinforcement
- glassfibre mat reinforcement
- height adjustable levelling legs
- laterally adjustable upper collar
- removable trap insert, 50 mm water seal
- temporary blanking plate

material:

polypropylene

Used with gratings and frames for CeraDrain S 10/TistoDrain S 10.

Flow rate tested to DIN EN 1253
 (with 20 mm water over grate)

	Norm	DALLMER
DN 50	0.8 l/s	0.85 l/s

Product No.	Description	Dimensions
595102	Glassfibre mat S 10, reinforced, 500 x 500 mm, id: 175 mm	500 mm x 500 mm, di: 175 mm
495082	Upper collar CeraDrain/TistoDrain S 10	

21. November 2019

DALLMER

Product No.	Description	Dimensions
495402	frame V, S 10/100, 304 stainless steel, 100 x 100 mm	
495426	frame V, S 10/120, 304 stainless steel, 120 x 120 mm	120 x 120 mm
400413	grating Quadra CD 10/100, 100 x 100 mm	
400468	grating VC, S 10/120, 120 x 120 mm	120 x 120 mm
400383	grating VE 10, 100 x 100 mm	100 x 100 mm