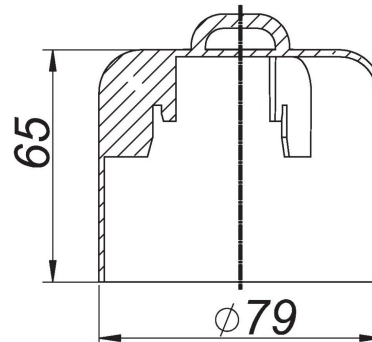


21. November 2019

DALLMER**Bell trap for floor drain body type 40**

Product No. **590275**
 EAN: 4001636590275
 Discount group: 3



spare part for floor drain body type 40

Product No.	Description	Dimensions
405227	floor drain body type 40 DallBit, DN 50	DN 50
405135	Floor drain body type 40 PE, DN 50/OD 50	DN 50
405128	Floor drain body type 40 S, DN 50	DN 50
513489	floor drain TistoPlan vertical K 10, DN 50, 100 x 100 mm	DN 50, 100 x 100 mm
513472	floor drain TistoPlan vertical K 12, DN 50, 120 x 120 mm	DN 50, 120 x 120 mm
405067	floor drain type 40 SE 12, DN 50, 120 x 120 mm	DN 50, 120 x 120 mm
405050	floor drain type 40 SE, DN 50, 100 x 100 mm	DN 50, 100 x 100 mm
513182	under-tile waterpr. floor drain 40 VC, DN 50, 100 x 100 mm	DN 50, 100 x 100 mm
513298	under-tile waterpr. floor drain 40 VE, DN 50, 100 x 100 mm	DN 50, 100 x 100 mm

Product No.	Description	Dimensions
405227	floor drain body type 40 DallBit, DN 50	DN 50
405135	Floor drain body type 40 PE, DN 50/OD 50	DN 50
405128	Floor drain body type 40 S, DN 50	DN 50