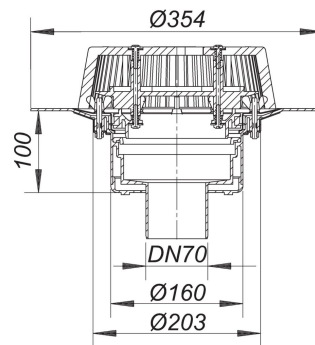


21. November 2019

DALLMER**roof drain SuperDrain type 62 clamp ring, DN 70**

Product No. **671233**
 EAN: 4001636671233
 Discount group: 10



conforming to DIN EN 1253
 for use with a calculated siphonic roof drainage system, with stainless steel clamp ring
 to secure all single-ply membranes

specification:

- SuperDrain-insert
- insulated drain body
- outlet vertical
- domed grate, secured

material:

polypropylene, UV-stabilized

Product No.	Description	Dimensions
621580	raising piece type 630 clamp ring	
622587	raising piece type 630 DallBit	
621573	raising piece type 630 FPO-PE	
671226	raising piece type 630 FPO-PP	
623584	raising piece type 630 PVC	