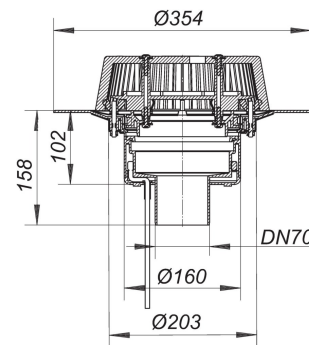


21. November 2019

DALLMER**roof drain SuperDrain type 62 H clamp ring, heated, DN 70**

Product No. **671240**
 EAN: 4001636671240
 Discount group: 10



conforming to DIN EN 1253
 for use with a calculated siphonic roof drainage system, with stainless steel clamp ring
 to secure all single-ply membranes

specification:

- SuperDrain-insert
- insulated drain body
- outlet vertical
- domed grate, secured

material:

polypropylene, UV-stabilized

H = roof drain heated version

Connect to 230 V supply, conforming to VDE 0721, Part 1/3.78

Power per drain: 15 watts

Current per drain: 0.06 amps

Suggested current per roof area: 16 amps

Product No.	Description	Dimensions
621580	raising piece type 630 clamp ring	
622587	raising piece type 630 DallBit	
621573	raising piece type 630 FPO-PE	
671226	raising piece type 630 FPO-PP	
623584	raising piece type 630 PVC	