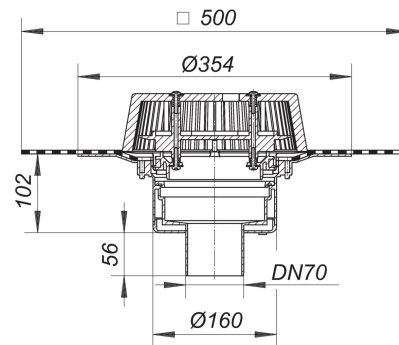


21. November 2019

**DALLMER****roof drain SuperDrain type 62 DallBit, DN 70**

Product No. **671257**  
 EAN: 4001636671257  
 Discount group: 10



conforming to DIN EN 1253  
 for use with a calculated siphonic roof drainage system, with factory-fitted collar of 5.0 mm modified bitumen membrane, 500 x 500 mm, welded to the flange and clamped with a stainless steel clamp ring

specification:

- SuperDrain-insert
- insulated drain body
- outlet vertical
- domed grate, secured

material:

polypropylene, UV-stabilized

Product No.	Description	Dimensions
621580	raising piece type 630 clamp ring	
622587	raising piece type 630 DallBit	
621573	raising piece type 630 FPO-PE	
671226	raising piece type 630 FPO-PP	
623584	raising piece type 630 PVC	