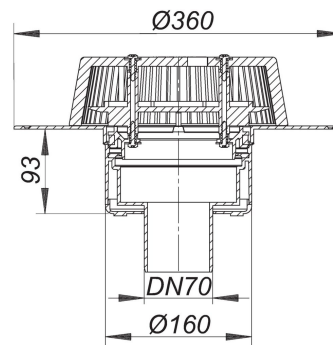


21. November 2019

roof drain SuperDrain type 62 PVC, DN 70

Product No. **671479**
 EAN: 4001636671479
 Discount group: 10



conforming to DIN EN 1253
 for use with a calculated siphonic roof drainage system, moulded in PVC, PVC
 membranes can be welded to the flange

specification:

- SuperDrain-insert
- insulated drain body
- outlet vertical
- domed grate, secured

material:

PVC

R 30 - 120 option available.

Product No.	Description	Dimensions
515131	fire protection kit 8 for steel trapezoidal-profiled roof, DN 70	
621580	raising piece type 630 clamp ring	
622587	raising piece type 630 DallBit	
621573	raising piece type 630 FPO-PE	
671226	raising piece type 630 FPO-PP	
623584	raising piece type 630 PVC	