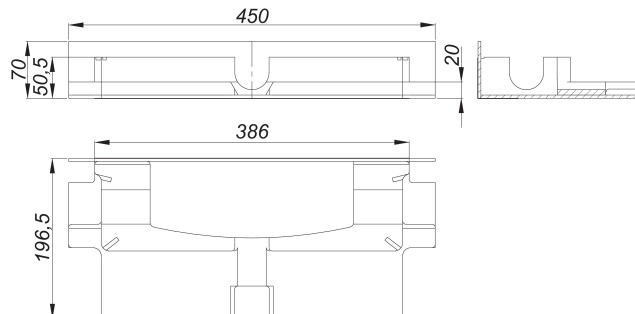
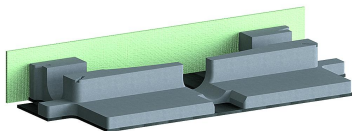


## sound-insulating element DallFlex/CeraFlex Plan

Part number: 539106  
GTIN: 4001636539106  
Rebate group: 11



### Description:

sound-insulating element DallFlex/CeraFlex Plan

for use with drain body DallFlex Plan and shower channels CeraFloor, CeraWall, CeraFrame, Zentrix and CeraNiveau. Tested to conform to DIN 4109/VDI 4100, certificate P-BA 142/2015 (CeraFloor, CeraWall Individual, CeraFrame, Zentrix und CeraNiveau) and P-BA 144/2015 (CeraWall Select).